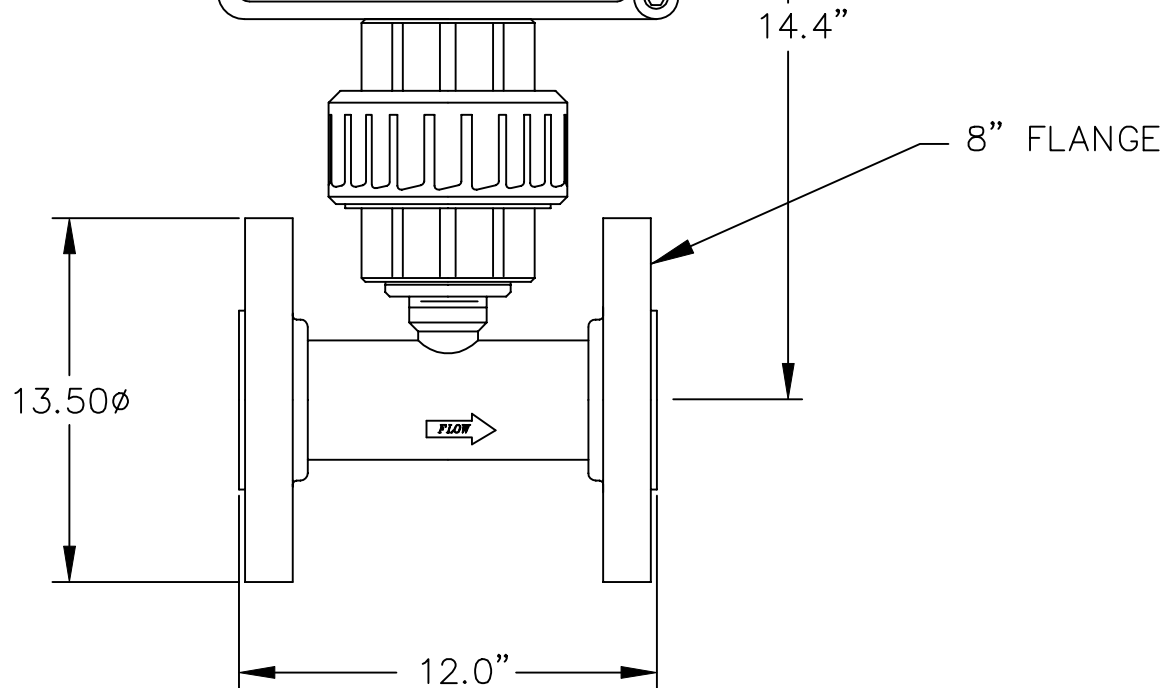


MODEL NUMBER
8" TM0800-F150



MATERIAL

UNLESS OTHERWISE SPECIFIED

ALL DIM IN INCHES
ANGULAR TOL[±] 1/2°
FRACTIONAL TOL[±] 1/64
3 PLACE DEC .005
2 PLACE DEC .010

REMOVE ALL BURRS
BREAK SHARP EDGES

DO NOT SCALE DWG

**THIS DRAWING IN DESIGN AND
 DETAIL IS THE PROPERTY OF
 TURBINES, INCORPORATED
 IT SHALL NOT BE REPRODUCED
 AND SHALL BE RETURNED TO
 US ON DEMAND**

ALL RIGHTS RESERVED

DRN Jack Harshman

APPVD Jack Harshman



**Hwy 283 North P.O.Box 933
 Altus, Oklahoma U.S.A.**

TITLE

**8" 150# FLANGED
 TURBINE METER**

A

DWG NO.

10817-01

**REV
 A**

SCALE NONE

DATE 7/25/01

SHEET

1 OF 1