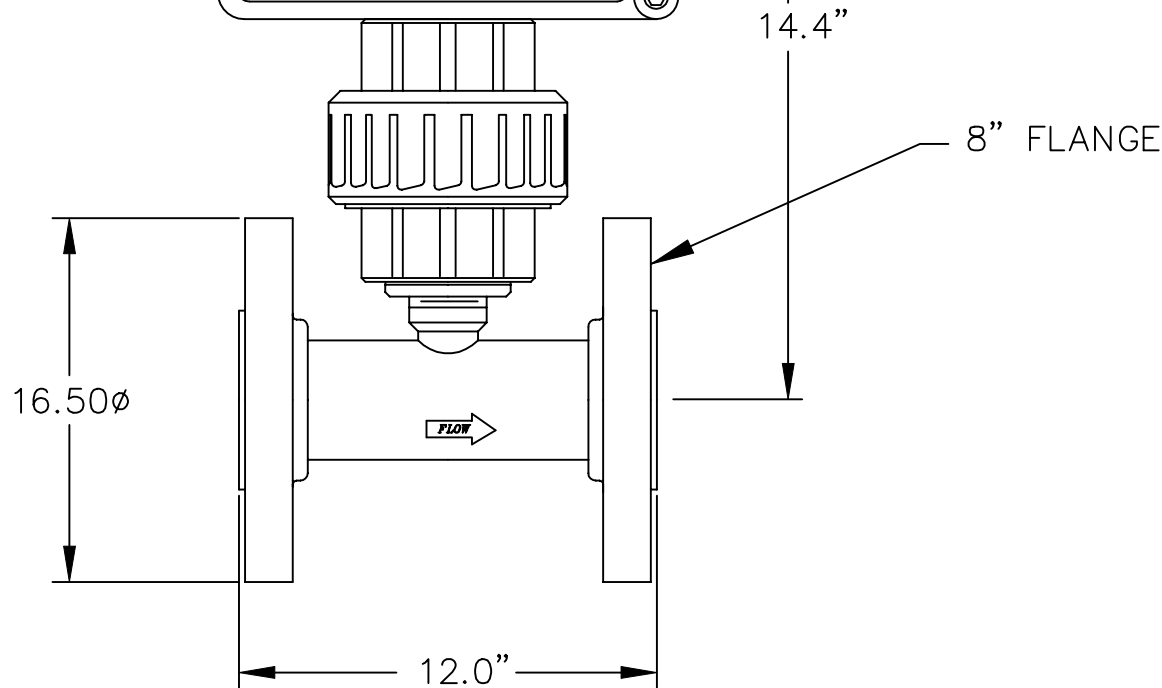


MODEL NUMBER  
8" TM0800-F600



**MATERIAL**

**UNLESS OTHERWISE SPECIFIED**

**ALL DIM IN INCHES  
ANGULAR TOL  $\pm 1/2^\circ$   
FRACTIONAL TOL  $\pm 1/64$   
3 PLACE DEC  $\pm 0.005$   
2 PLACE DEC  $\pm 0.010$**

**REMOVE ALL BURRS  
BREAK SHARP EDGES**

**DO NOT SCALE DWG**

**THIS DRAWING IN DESIGN AND  
DETAIL IS THE PROPERTY OF  
TURBINES, INCORPORATED  
IT SHALL NOT BE REPRODUCED  
AND SHALL BE RETURNED TO  
US ON DEMAND**

**ALL RIGHTS RESERVED**

**DRN Jack Harshman**

**APPVD Jack Harshman**

**Turbines**  
incorporated

**Hwy 283 North P.O.Box 933  
Altus, Oklahoma U.S.A.**

**TITLE**

**8" 600# FLANGED  
TURBINE METER**

**A**

**DWG NO.**

**10819-01**

**REV  
A**

**SCALE NONE**

**DATE 7/25/01**

**SHEET**

**1 OF 1**