

MODEL NUMBER

3/8" TM0038-F300

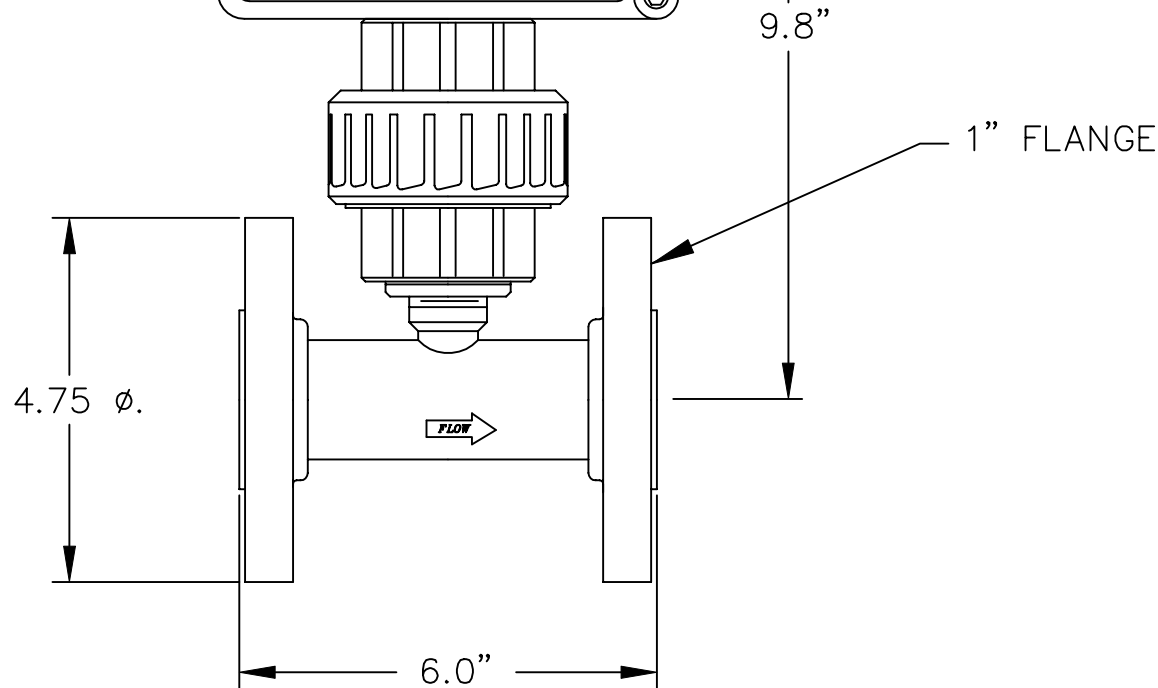
1/2" TM0050-F300

3/4" TM0075-F300

7/8" TM0078-F300

1" TM0100-F300

NOTE: REPLACE THE XXX WITH THE ANSI FLANGE PRESSURE RATING



**MATERIAL**

**UNLESS OTHERWISE SPECIFIED**

**ALL DIM IN INCHES  
ANGULAR TOL  $\pm$  1/2°  
FRACTIONAL TOL  $\pm$  1/64  
3 PLACE DEC  $\pm$  005  
2 PLACE DEC  $\pm$  010**

**REMOVE ALL BURRS  
BREAK SHARP EDGES**

**DO NOT SCALE DWG**

**THIS DRAWING IN DESIGN AND  
DETAIL IS THE PROPERTY OF  
TURBINES, INCORPORATED  
IT SHALL NOT BE REPRODUCED  
AND SHALL BE RETURNED TO  
US ON DEMAND**

**ALL RIGHTS RESERVED**

**DRN Jack Harshman**

**APPVD Jack Harshman**

**Turbines**  
Incorporated

**Hwy 283 North P.O.Box 933  
Altus, Oklahoma U.S.A.**

**TITLE**

**3/8, 1/2, 3/4, 7/8, & 1"  
300# FLANGED  
TURBINE METER**

**A**

**DWG NO.**

**10789-01**

**REV  
A**

**SCALE NONE**

**DATE 7/24/01**

**SHEET**

**1 OF 1**