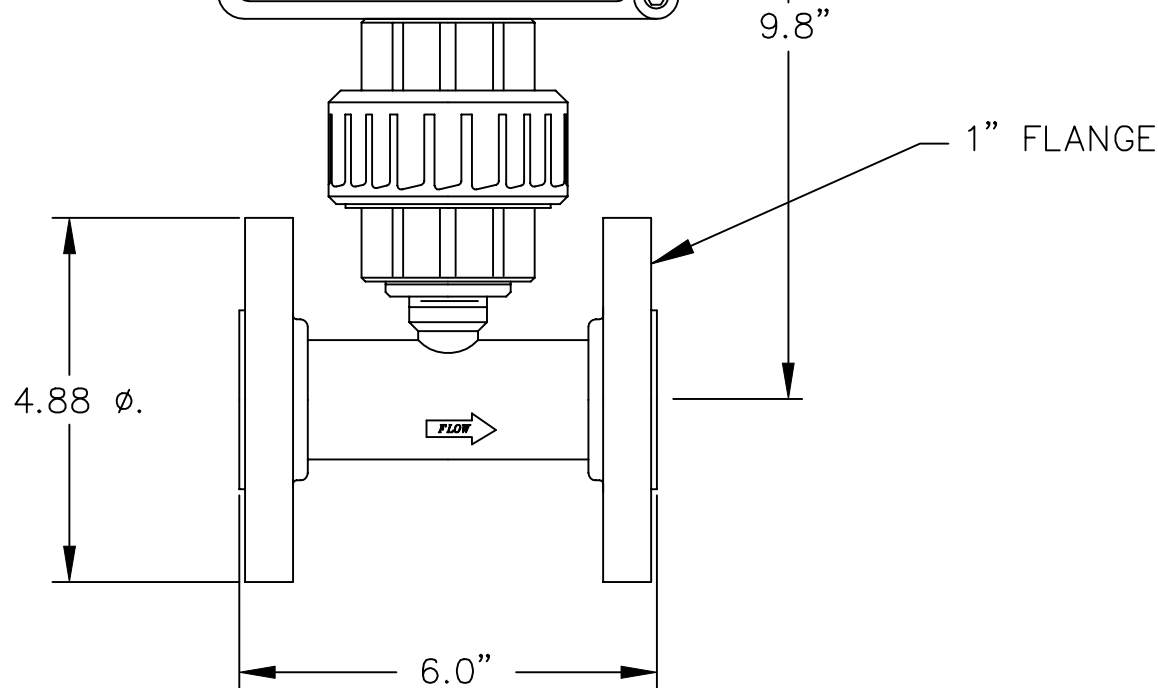


MODEL NUMBER

- 3/8" TM0038-F600
- 1/2" TM0050-F600
- 3/4" TM0075-F600
- 7/8" TM0078-F600
- 1" TM0100-F600



MATERIAL

UNLESS OTHERWISE SPECIFIED

ALL DIM IN INCHES
ANGULAR TOL[±] 1/2°
FRACTIONAL TOL[±] 1/64
3 PLACE DEC .005
2 PLACE DEC .010

REMOVE ALL BURRS
BREAK SHARP EDGES

DO NOT SCALE DWG

**THIS DRAWING IN DESIGN AND
 DETAIL IS THE PROPERTY OF
 TURBINES, INCORPORATED
 IT SHALL NOT BE REPRODUCED
 AND SHALL BE RETURNED TO
 US ON DEMAND**

ALL RIGHTS RESERVED

DRN Jack Harshman

APPVD Jack Harshman



**Hwy 283 North P.O.Box 933
 Altus, Oklahoma U.S.A.**

TITLE

**3/8, 1/2, 3/4, 7/8, & 1"
 600# FLANGED
 TURBINE METER**

A

DWG NO.

10790-01

**REV
 A**

SCALE NONE

DATE 7/24/01

SHEET

1 OF 1