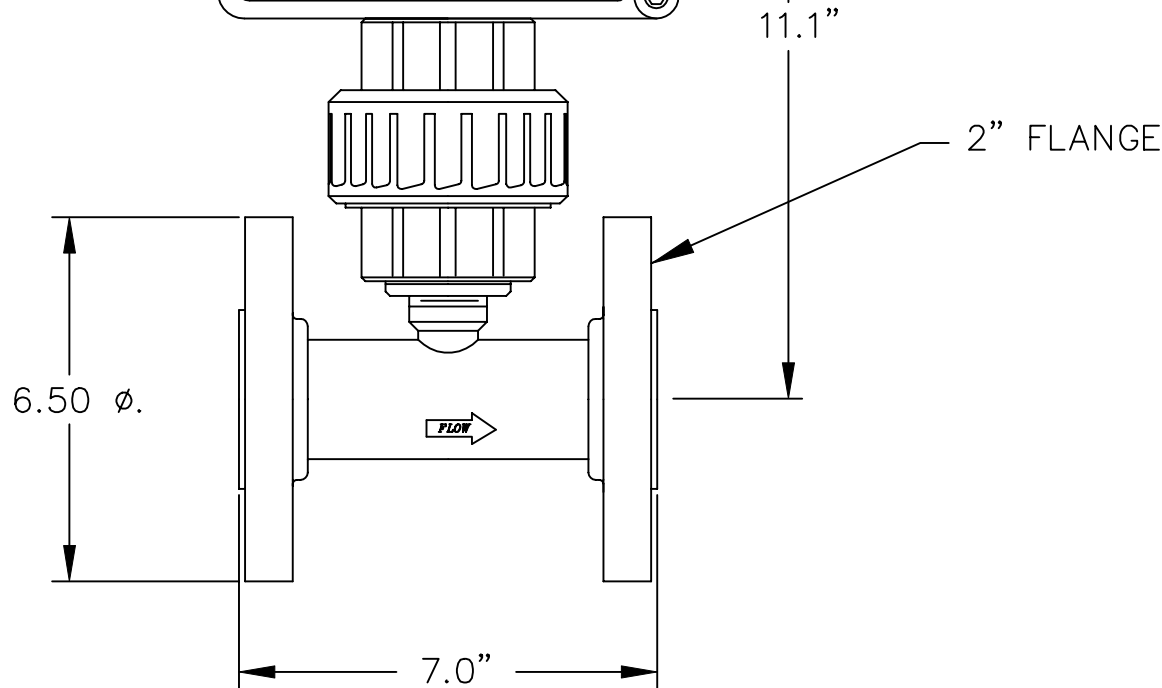


MODEL NUMBER
 2L TM0200L-F300
 2L TM0200L-F600



MATERIAL

UNLESS OTHERWISE SPECIFIED

ALL DIM IN INCHES
ANGULAR TOL ± 1/2°
FRACTIONAL TOL ± 1/64
3 PLACE DEC ±005
2 PLACE DEC ±010

REMOVE ALL BURRS
BREAK SHARP EDGES

DO NOT SCALE DWG

**THIS DRAWING IN DESIGN AND
 DETAIL IS THE PROPERTY OF
 TURBINES, INCORPORATED
 IT SHALL NOT BE REPRODUCED
 AND SHALL BE RETURNED TO
 US ON DEMAND**

ALL RIGHTS RESERVED

DRN Jack Harshman

APPVD Jack Harshman



**Hwy 283 North P.O.Box 933
 Altus, Oklahoma U.S.A.**

TITLE

**2L 300 & 600#
 FLANGED
 TURBINE METER**

A

DWG NO.

10798-01

REV

A

SCALE NONE

DATE 7/24/01

SHEET

1 OF 1