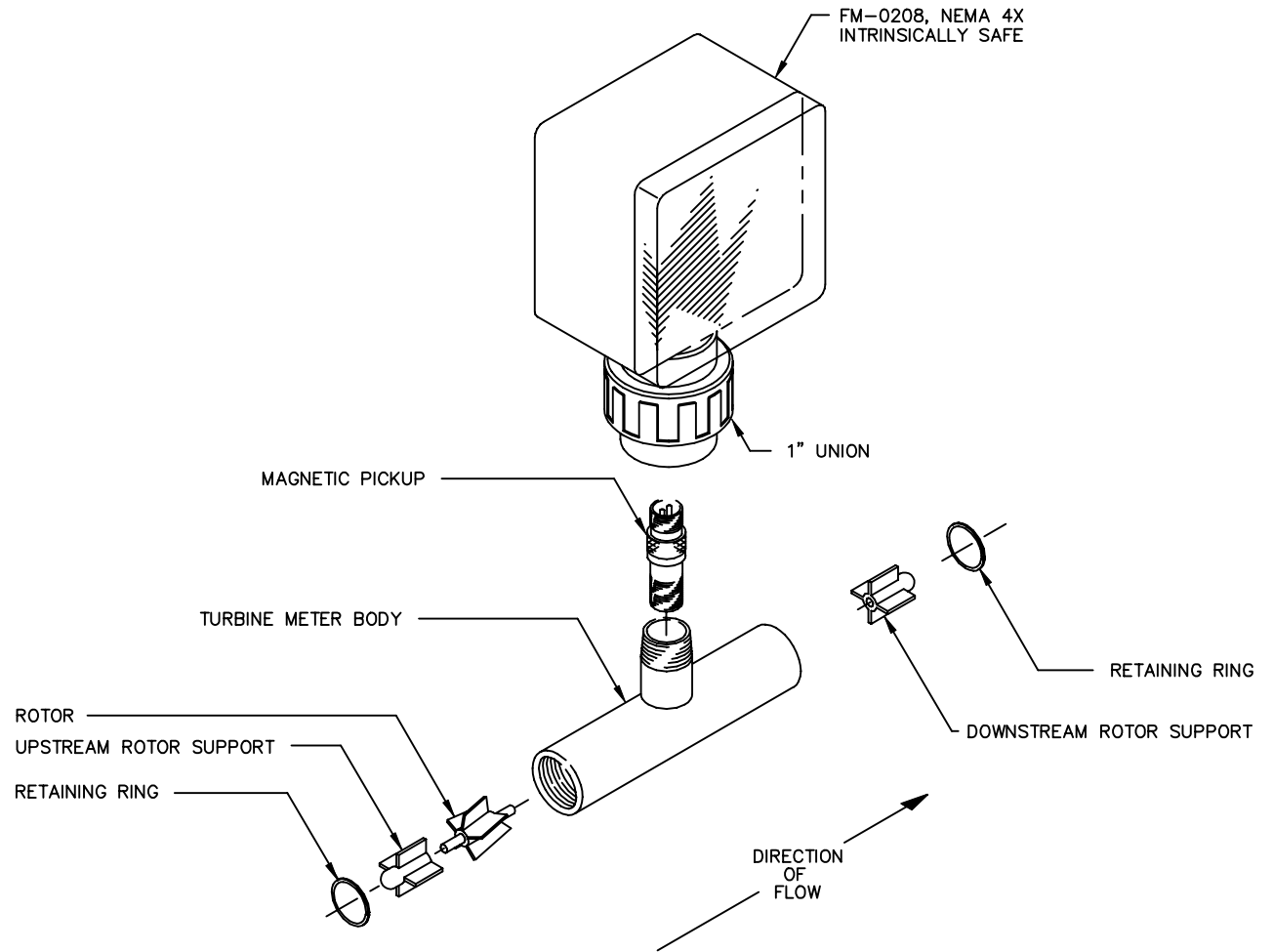
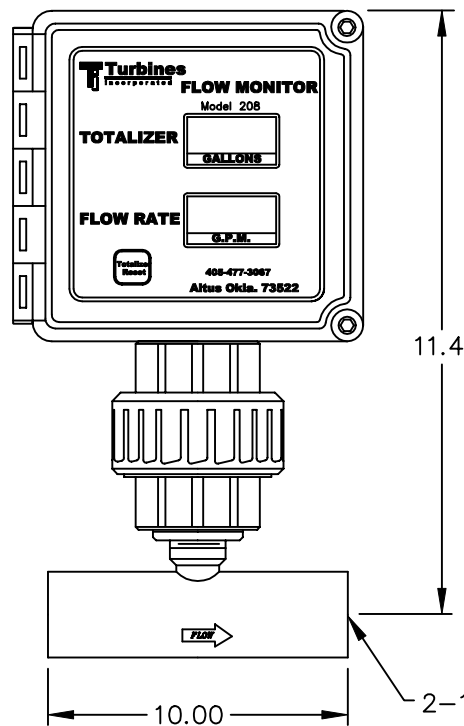



MODEL NUMBER: TM0200



|          |   |  |  |                                  |
|----------|---|--|--|----------------------------------|
| MATERIAL | UNLESS OTHERWISE SPECIFIED<br>ALL DIM IN INCHES<br>ANGULAR TOL $\pm 1/4^\circ$<br>FRACTIONAL TOL $\pm 1/64$<br>3 PLACE $\pm .003$<br>2 PLACE $\pm .005$ | THIS DRAWING IN DESIGN AND<br>DETAIL IS THE PROPERTY OF<br>TURBINES, INCORPORATED<br>IT SHALL NOT BE REPRODUCED<br>AND SHALL BE RETURNED TO<br>US ON DEMAND<br>ALL RIGHTS RESERVED | <br>Hwy 283 North P.O.Box 933<br>Altus, Oklahoma U.S.A. | TITLE                            |
|          |   |  |  | FEMALE THREADED<br>TURBINE METER |
| FINISH   | REMOVE ALL BURRS<br>BREAK SHARP EDGES<br>DO NOT SCALE DWG   | DRN <i>Jack Harshman</i><br>APPVD <i>Jack Harshman</i>   | D DWG NO. 10292-01   | REV B                            |
|          |   |  | DATE 11-26-99  | SHEET 1 OF 1                     |