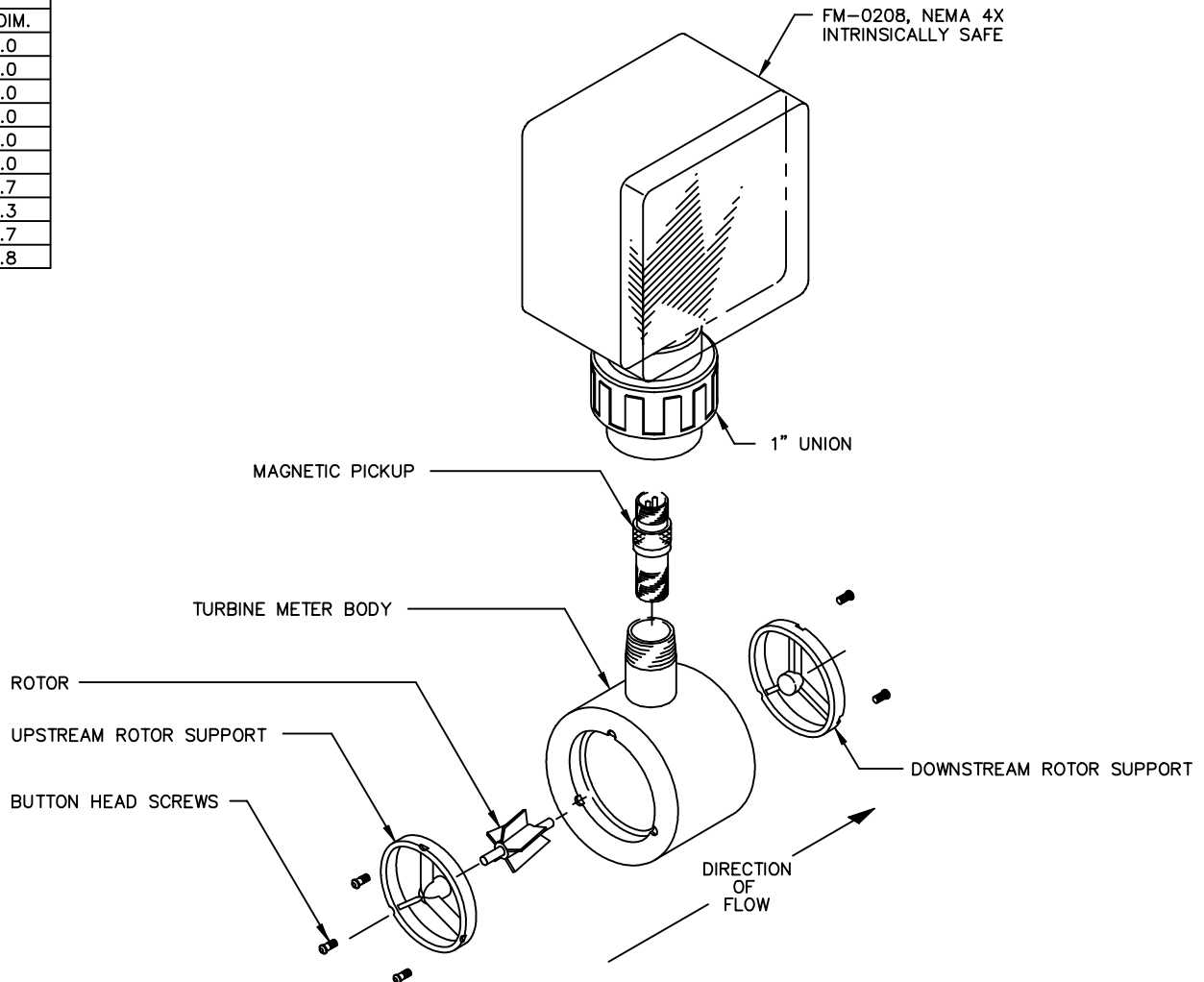
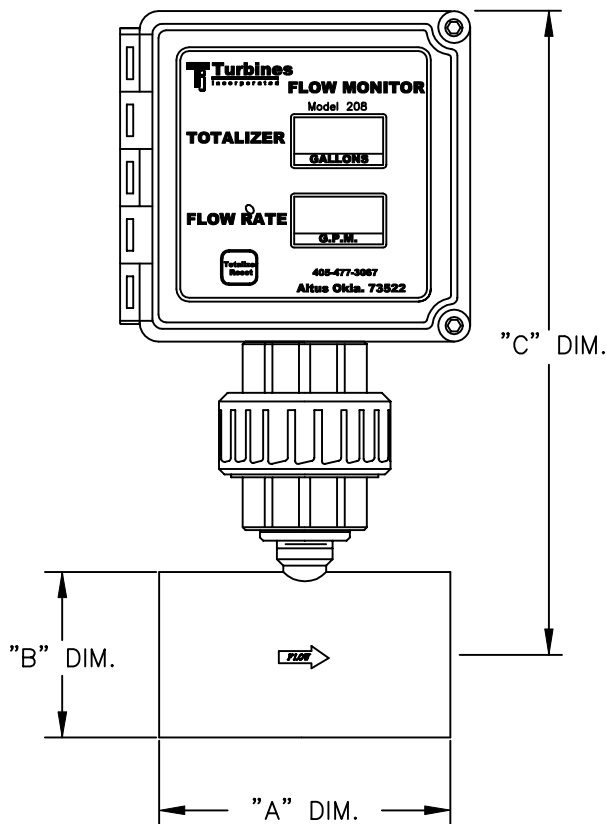



DIMENSION TABLE WAFER INLINE TURBINE METERS				
METER SIZE	MODEL NUMBER	"A" DIM.	"B" DIM.	"C" DIM.
1/2"	WM0050X2	2.50	3.635	12.0
3/4"	WM0075X2	2.50	3.635	12.0
7/8"	WM0078X2	2.50	3.635	12.0
1"	WM0100X2	2.50	3.635	12.0
1-1/2"	WM0150X2	2.50	3.635	12.0
2"	WM0200X2	2.50	3.635	12.0
3"	WM0300X3	4.25	5.000	12.7
4"	WM0400X4	5.00	6.187	13.3
6"	WM0600X6	5.75	8.500	13.7
8"	WM0800X8	5.75	10.625	14.8



MATERIAL	UNLESS OTHERWISE SPECIFIED ALL DIM IN INCHES ANGULAR TOL $\pm 1/4^\circ$ FRACTIONAL TOL $\pm 1/64$ 3 PLACE $\pm .003$ 2 PLACE $\pm .005$	THIS DRAWING IN DESIGN AND DETAIL IS THE PROPERTY OF TURBINES, INCORPORATED IT SHALL NOT BE REPRODUCED AND SHALL BE RETURNED TO US ON DEMAND ALL RIGHTS RESERVED	 <small>Hwy 283 North P.O.Box 933 Altus, Oklahoma U.S.A.</small>	TITLE WAFER TURBINE METER	
				DRN <i>Jack Harshman</i>	D
FINISH	REMOVE ALL BURRS BREAK SHARP EDGES DO NOT SCALE DWG	APPVD <i>Jack Harshman</i>	DATE 11-26-99	SHEET	1 OF 1