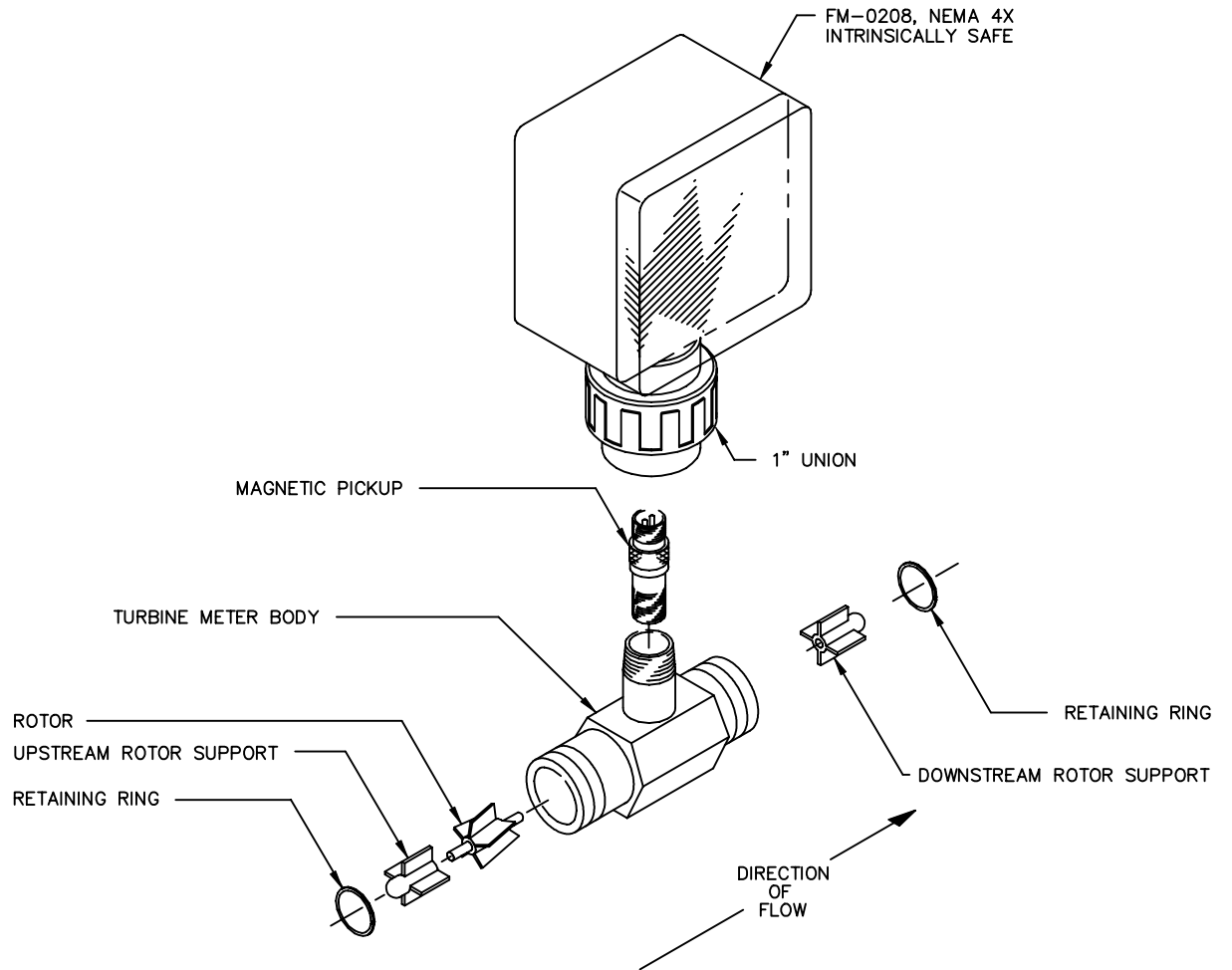
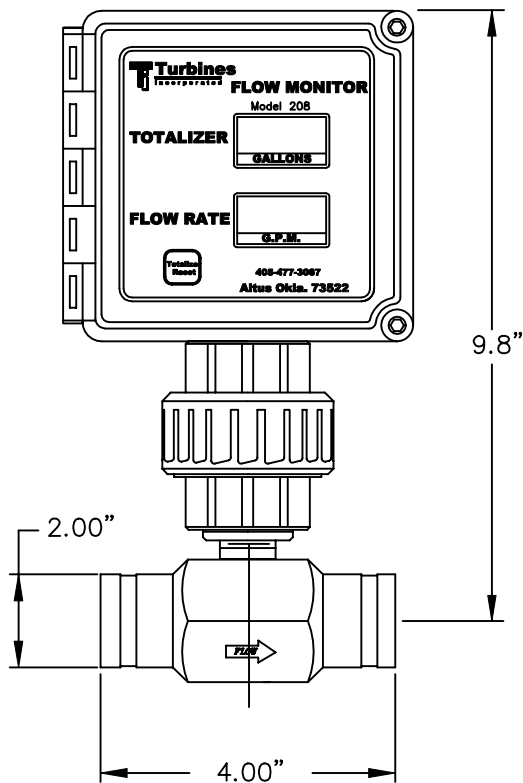



DIMENSION TABLE	
1" WAFER BODY INLINE TURBINE METERS	
METER SIZE	MODEL NUMBER
3/8"	WM0038
1/2"	WM0050
3/4"	WM0075
7/8"	WM0078
1"	WM0100



MATERIAL	UNLESS OTHERWISE SPECIFIED	THIS DRAWING IN DESIGN AND DETAIL IS THE PROPERTY OF TURBINES, INCORPORATED IT SHALL NOT BE REPRODUCED AND SHALL BE RETURNED TO US ON DEMAND ALL RIGHTS RESERVED	 Hwy 283 North P.O.Box 933 Altus, Oklahoma U.S.A.	TITLE			
	ALL DIM IN INCHES ANGULAR TOL $\pm 1/4^\circ$ FRACTIONAL TOL $\pm 1/64$ 3 PLACE $\pm .003$ 2 PLACE $\pm .005$ REMOVE ALL BURRS BREAK SHARP EDGES DO NOT SCALE DWG			1" BODY WAFER TURBINE METER			
FINISH	DRN	Jack Harshman	D	DWG NO.	10294-01	REV	B
	APPVD	Jack Harshman	DATE	11-26-99	SHEET	1 OF 1	