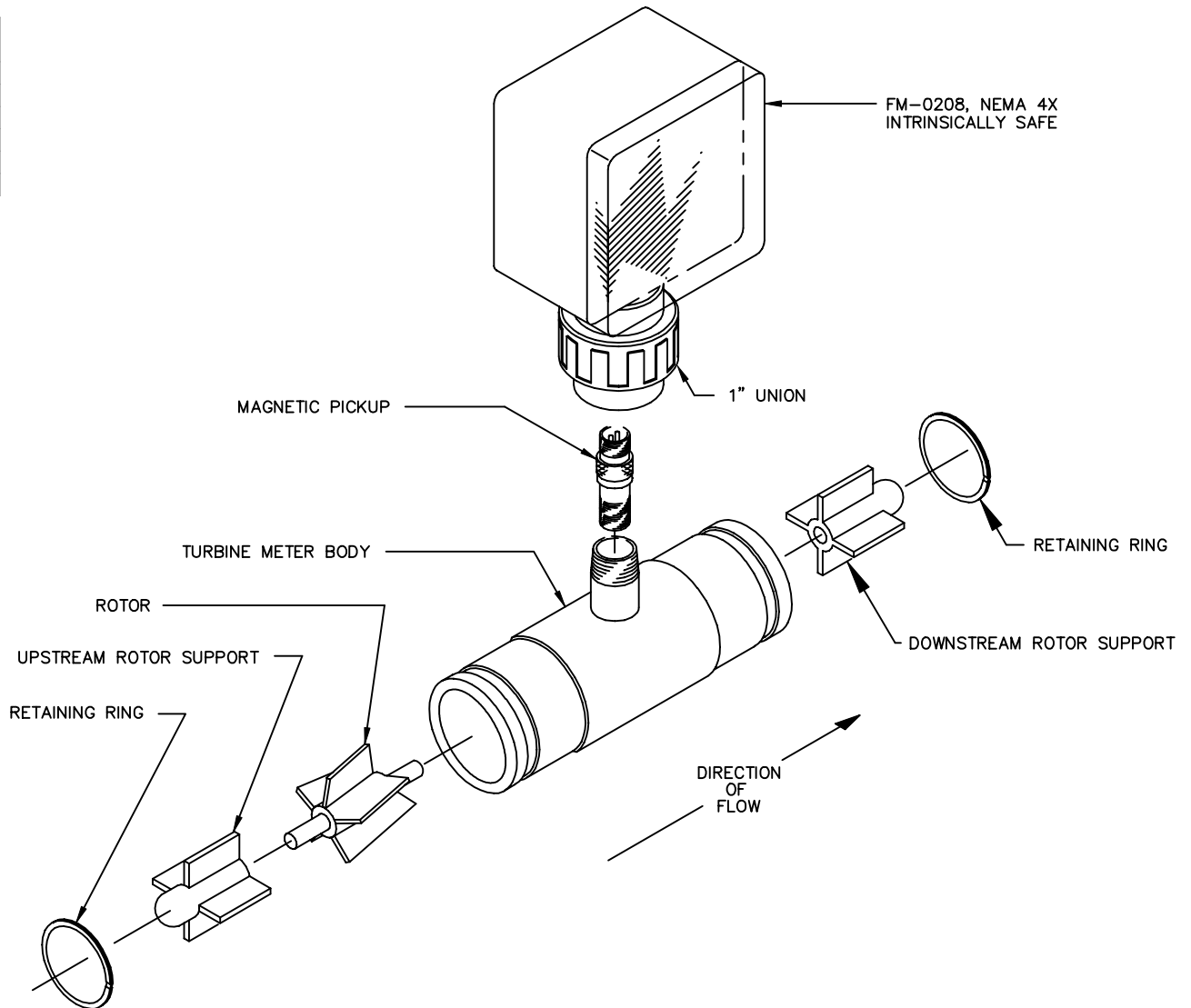
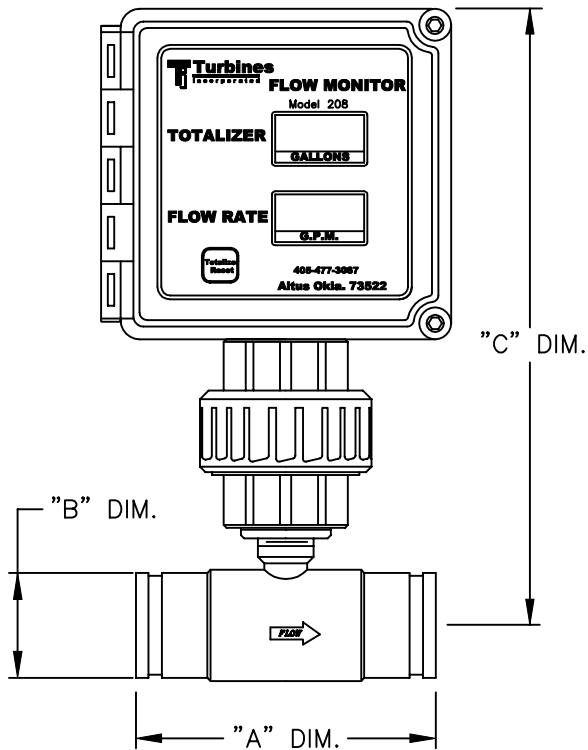


DIMENSION TABLE VICTAULIC BODY INLINE TURBINE METERS				
METER SIZE	MODEL NUMBER	"A" DIM.	"B" DIM.	"C" DIM.
2"	TM0200	6.00	2.37	11.1
3"	TM0300	12.50	3.50	11.8
4"	TM0400	12.00	4.50	12.2
6"	TM0600	12.00	6.63	13.4
8"	TM0800	12.00	8.63	14.4



MATERIAL	UNLESS OTHERWISE SPECIFIED ALL DIM IN INCHES ANGULAR TOL $\pm 1/4^\circ$ FRACTIONAL TOL $\pm 1/64$ 3 PLACE $\pm .003$ 2 PLACE $\pm .005$	THIS DRAWING IN DESIGN AND DETAIL IS THE PROPERTY OF TURBINES, INCORPORATED IT SHALL NOT BE REPRODUCED AND SHALL BE RETURNED TO US ON DEMAND ALL RIGHTS RESERVED	 Hwy 283 North P.O.Box 933 Altus, Oklahoma U.S.A.	TITLE VICTAULIC TURBINE METER	
	FINISH			REMOVE ALL BURRS BREAK SHARP EDGES DO NOT SCALE DWG	DRN <i>Jack Harshman</i> APPVD <i>Jack Harshman</i>