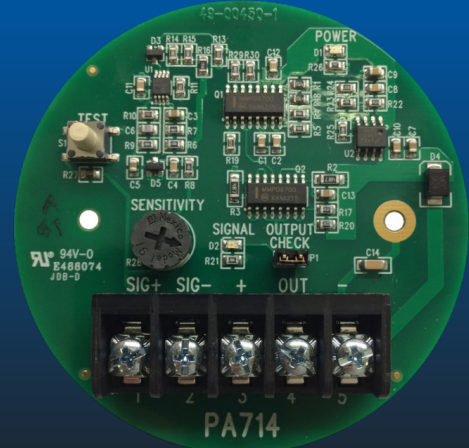


PA714 Pulse Amplifier

PULSE SIGNAL AMPLIFIER



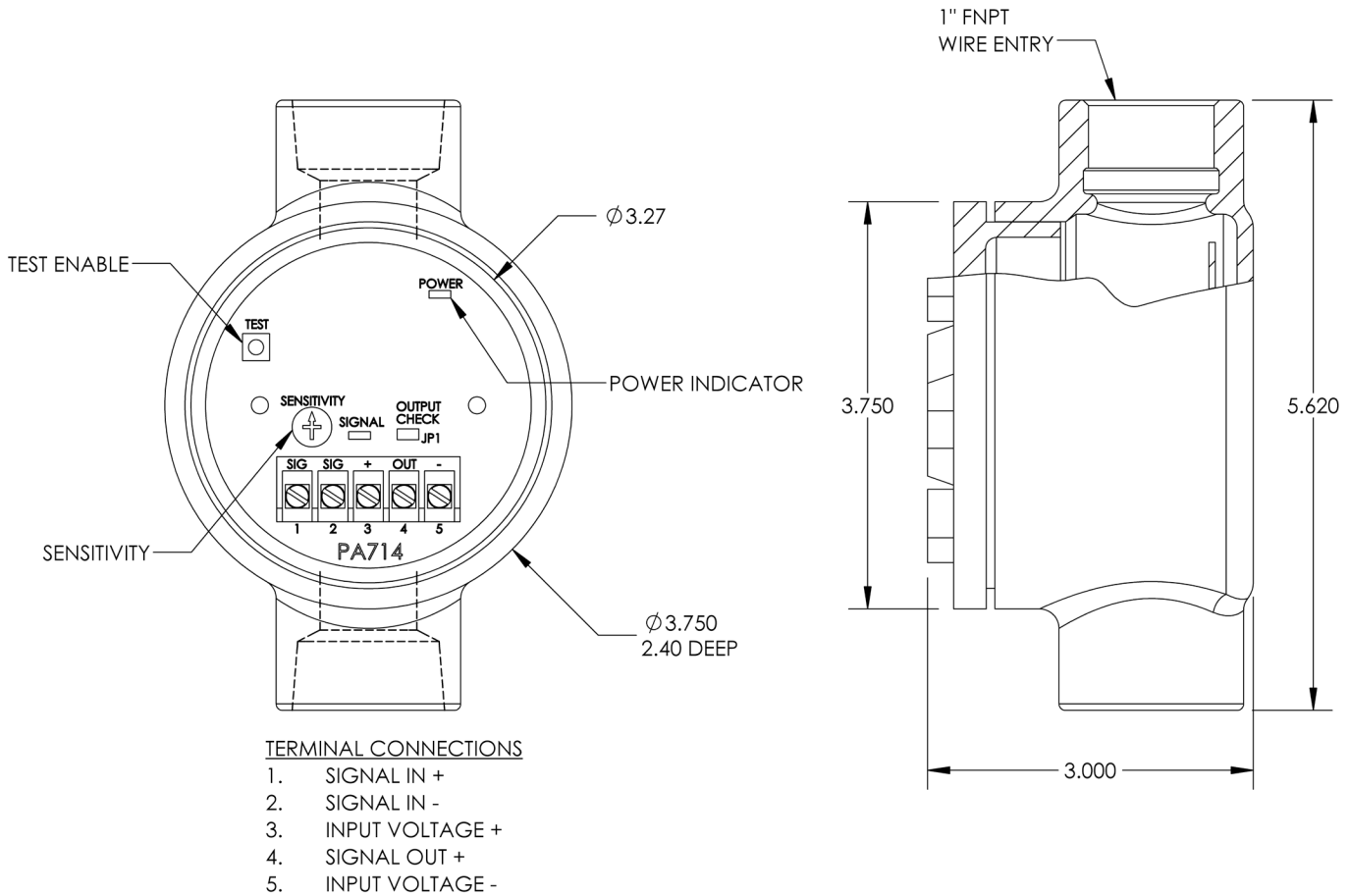
Turbines, Inc. is the leader in the design and manufacture of reliable and accurate turbine flow metering equipment, electronic monitors, and accessories. All products are engineered, manufactured, and calibrated using premium quality materials by skilled tradesman with state-of-the-art equipment.

Turbines, Inc. maintains a team of dedicated engineers, technicians, and application specialists, who are on-call to assist with product/application guidance, technical assistance, and special configurations or modifications.

The **PA714 Pulse Amplifier** is a meter-mounted device that amplifies and conditions low amplitude signals such as those developed by a magnetic pickup coil. The amplitude of the squarewave output equals the input supply voltage of the PA714. Signal amplification and conditioning permits trouble free interfacing between low amplitude signal sources and electronic devices requiring pulse inputs. The sensitivity adjustment permits the PA714 to discriminate between an input signal and noise by increasing (CCW) or decreasing (CW) the input signal amplitude necessary to be processed as a valid signal. This, in conjunction with direct mounting, allows the PA714 to operate effectively in noisy environments.

PA714 Features

Temperature	Operating -40° C to +85° C Storage -65° C to +125° C
Input Voltage	6-28 VDC; 5 mA @ 24 VDC Protected against polarity reversal
Signal Input	Frequency 0-10 KHz Amplitude 20 mVp-p minimum sine or square wave Sensitivity field adjustable Impedance 10K ohms @ 10KHz
Analog Output	6-28 VDC squarewave proportional to input voltage Minimum load @ 250 ohms Short circuit protection
Features	Individual LED indicators for power and output signal Built in test oscillator that injects 4 Hz test signal when test P/B depressed Mounts directly on flowmeter
Enclosure	FM Approved, CSA Certified Class I Groups B, C, D Class II Groups E, F, G Weight 1.7 lbs



 All Turbines, Inc. products are proudly made in the U.S.A.



15935 Highway 283 N.
Altus, Oklahoma 73522, USA
Tel: +1-580-477-3067
www.turbinesincorporated.com



A wholly Owned Subsidiary of Turbines, Inc. Altus, OK, USA

112 Lumber Ln.
Seneca, SC 29672 USA
Tel: +1-864-882-4544
www.turbinesincorporated.com



960 South Meadow Ave.
Odessa, TX 79761 USA
Tel: +1-432-333-4800
www.turbinesodessa.com



800 Wellington Avenue
Cranston, RI 02910, USA
Tel: +1-401-461-6366
www.primaryflowsignal.com



2236 80th Avenue NW,
Edmonton, AB T6P 1N2
Tel: 877-661-3569
www.pfscanada.ca