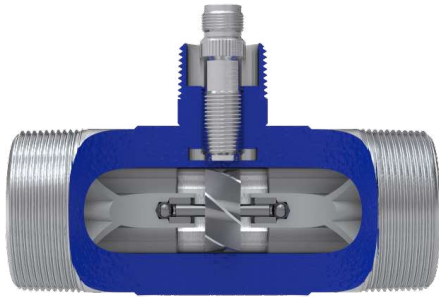
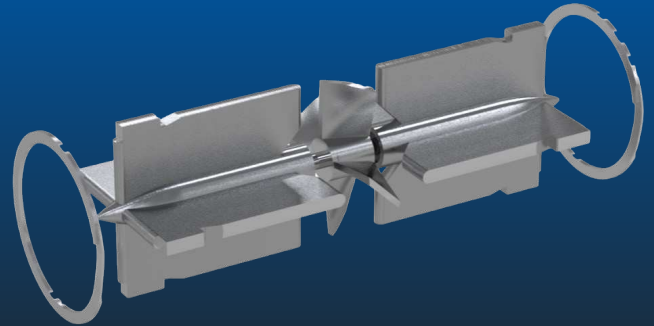


# TM Series Liquid Turbine Meter Internakl Kit

**ACCURATE AND RELIABLE LIQUID FLOW MEASUREMENT**



**Turbines, Inc.** is the leader in the design and manufacture of reliable and accurate turbine flow metering equipment, electronic monitors, and accessories. All products are engineered, manufactured, and calibrated using premium quality materials by skilled tradesman with state-of-the-art equipment.

Turbines, Inc. maintains a team of dedicated engineers, technicians, and application specialists, who are on-call to assist with product/application guidance, technical assistance, and special configurations or modifications.

## Specifications

### Performance

Linearity	+/- 1% over flow range*
Repeatability	+/- 0.1% over flow range
Operating Temperature	-100°F to +250°F Standard (850°F with special coil)

### Materials

Meter Body	316 Stainless steel
Rotor Supports	316 Stainless steel
Meter Rotor	CD4MCu/416 Stainless steel
Rotor Shaft	Tungsten carbide
Sleeve Bearings	Tungsten carbide

### Certifications

ISO 9001, NIST traceable calibration



Retrofit Kit Model	Flow Range (GPM)	Flow Range (BPD)	Flow Range (M3PD)	Flow Range (LPM)
TK0038	0.3 -3	10 - 100	1.6 -16	1.14 - 11.36
TK0050	0.75 -7.5	25 -250	4-40	2.84-28.39
TK0075	2 -15	68 - 514	11 -80	7.57 - 56.78
TK0078	3 -30	102 - 1,028	16 -160	11.36 - 113.6
TK0100	5-50	170 -1,714	27 - 270	18.93 - 189.93
TK0150	15 -180	514 - 6,000	80 -980	56.8 - 681.35
TK0150	15 -180	514 - 6,000	80 -980	56.8- 681.35
TK0200	40-400	1,371 - 13,714	218 - 2,180	151 - 1,514
TK0300	60 -600	2,100- 21,000	320 - 3,200	227 - 2,270
TK0400	120-1,200	4,100- 41,000	654 - 6,541	454 - 4,542
TK0600	250 -2,500	8571- 85,710	1,362 - 13,627	946 - 9,463
TK0800	350 -3,500	12,000-120,000	1,907- 19,080	1,324 - 13,248
TK1000	550 -5,500	19,000-190,000	2,998 - 29,980	2,081 - 20,819

\*Except TM0038 which is +/- 2.0%

## Service

Our dedicated staff offers complete support and recertification for flow meters — whether our own or a competitor's brand. Our calibration services are performed by our trained technicians using the latest testing equipment.

Turbines, Inc. maintains extensive inventories in multiple locations to facilitate rapid, industry leading deliveries.

## Worldwide Support

We serve customers globally with offices in Altus, OK; Seneca, SC; Odessa, TX; Cranston, RI; and Edmonton, Alberta, Canada.



**Turbines, Inc. products are proudly made in the U.S.A.**



15935 Highway 283 N.  
Altus, Oklahoma 73522, USA  
Tel: +1-580-477-3067  
[www.turbinesincorporated.com](http://www.turbinesincorporated.com)



A wholly Owned Subsidiary of Turbines, Inc. Altus, OK, USA

112 Lumber Ln.  
Seneca, SC 29672 USA  
Tel: +1-864-882-4544  
[www.turbinesincorporated.com](http://www.turbinesincorporated.com)



960 South Meadow Ave.  
Odessa, TX 79761 USA  
Tel: +1-432-333-4800  
[www.turbinesodessa.com](http://www.turbinesodessa.com)



800 Wellington Avenue  
Cranston, RI 02910, USA  
Tel: +1-401-461-6366  
[www.primaryflowsignal.com](http://www.primaryflowsignal.com)



2236 80th Avenue NW,  
Edmonton, AB T6P 1N2  
Tel: 877-661-3569  
[www.pfscanada.ca](http://www.pfscanada.ca)